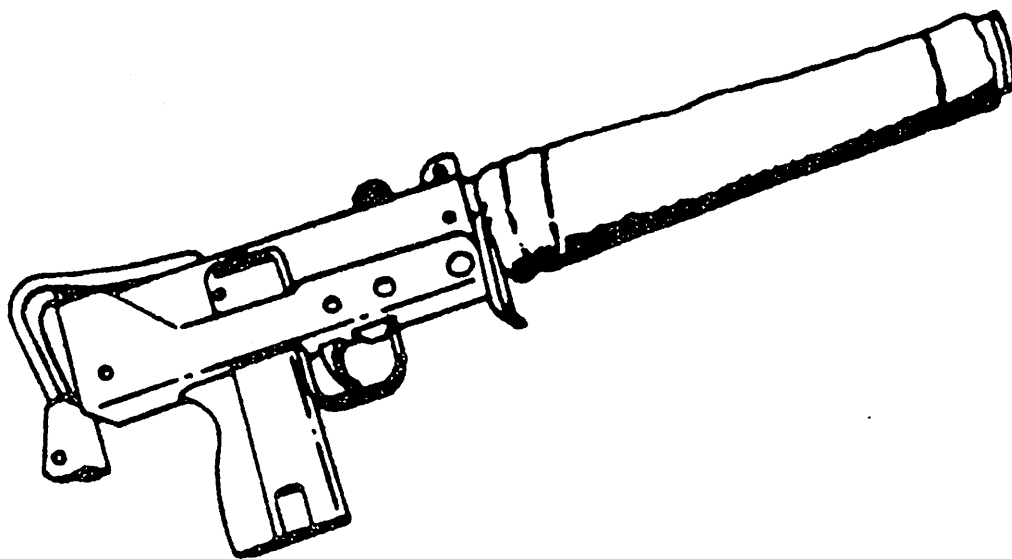
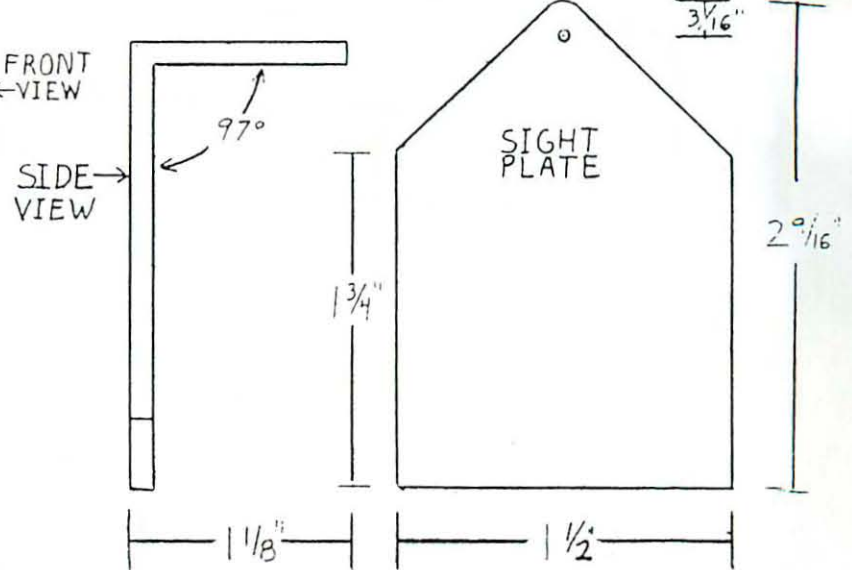
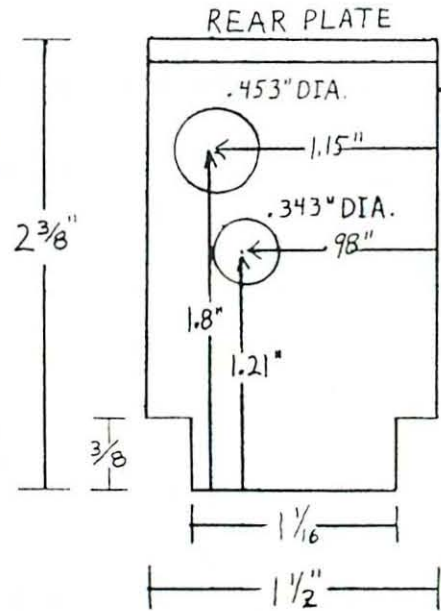
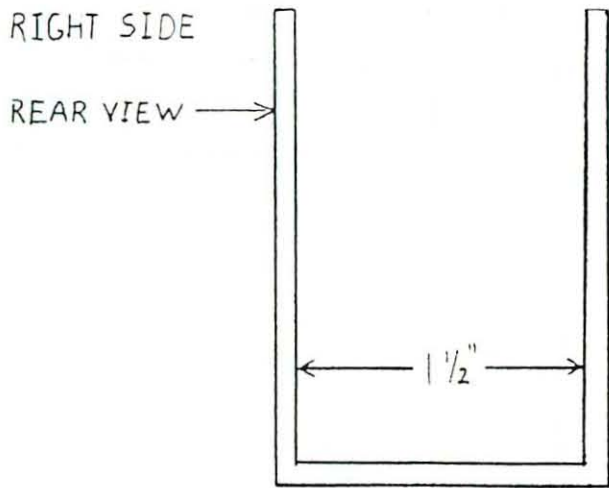
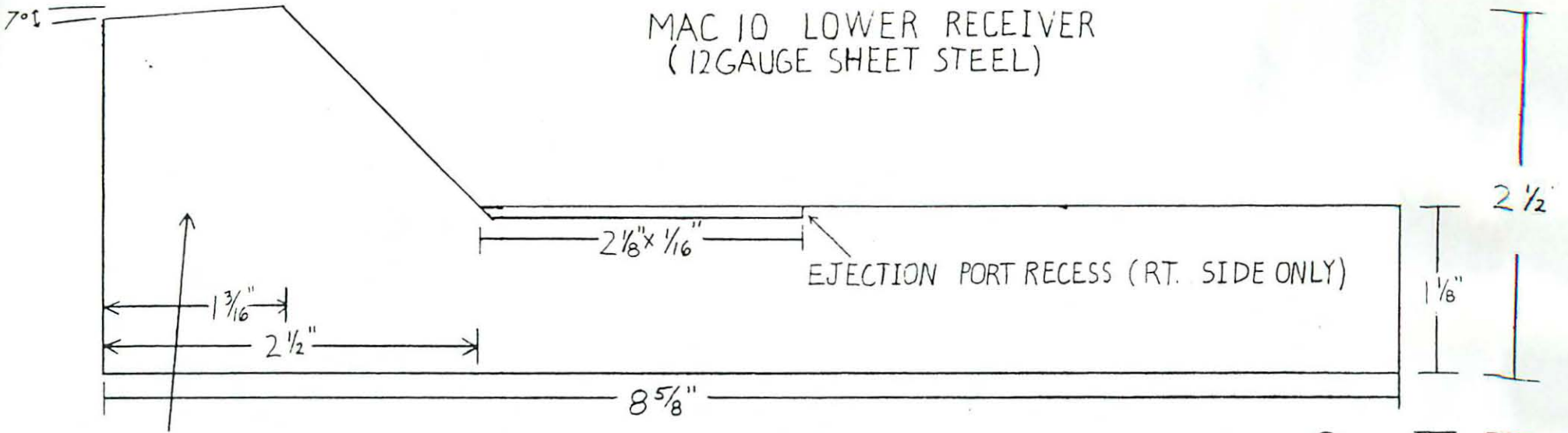


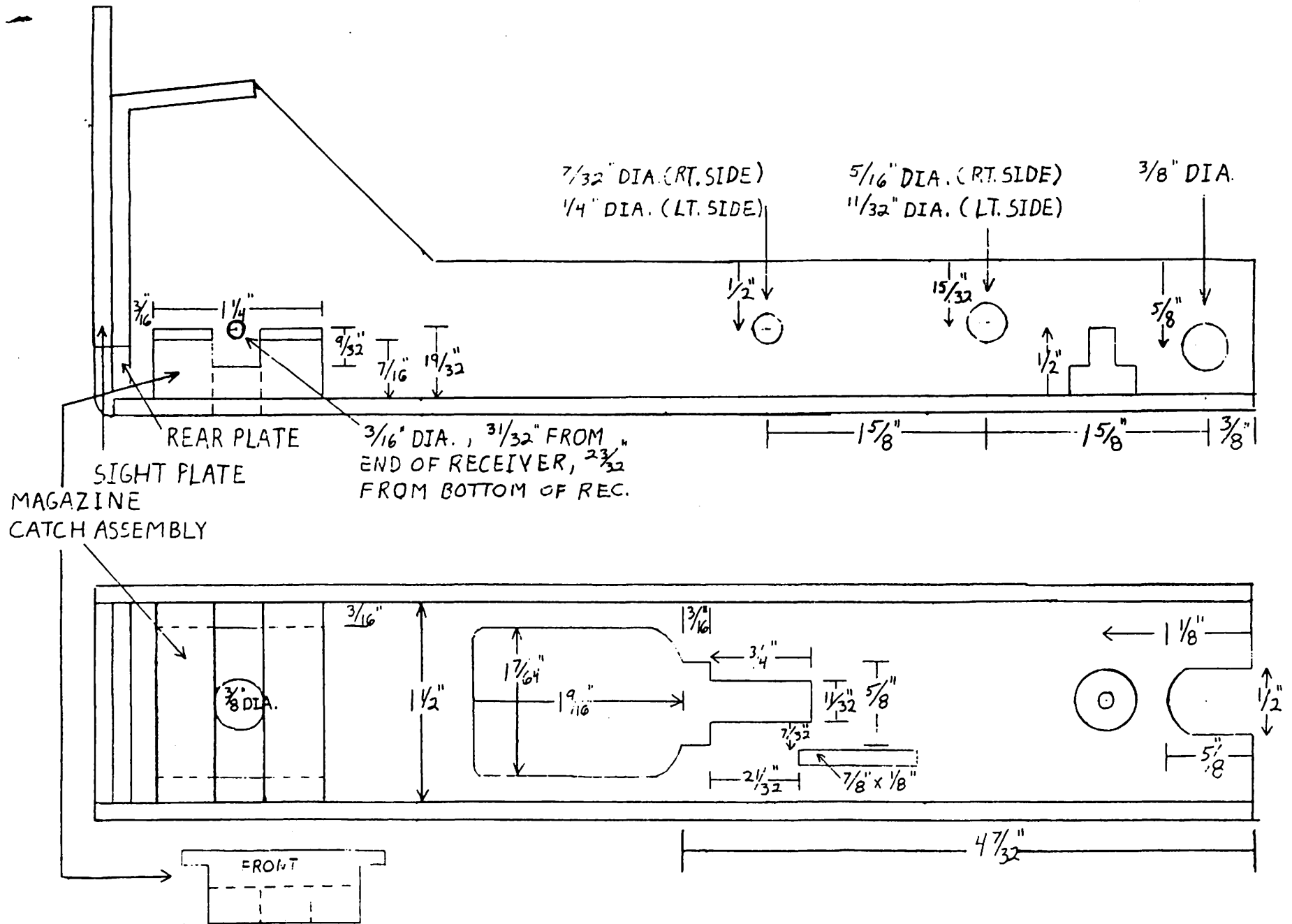
**MAC-10 45 ACP  
SUB-MACHINE GUN**

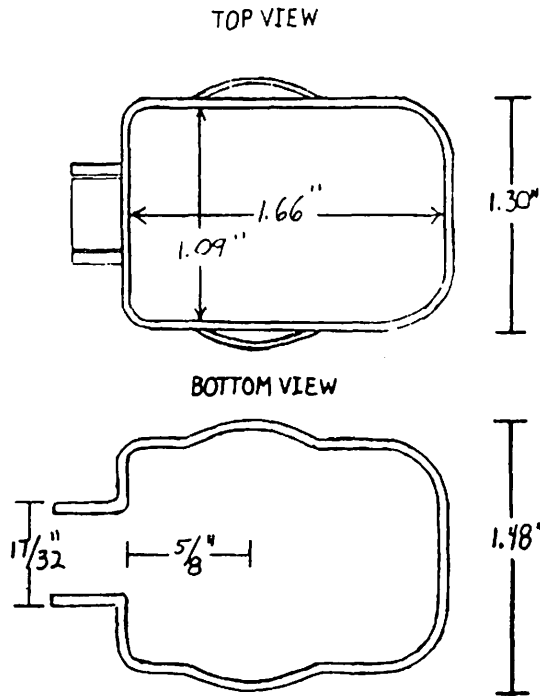
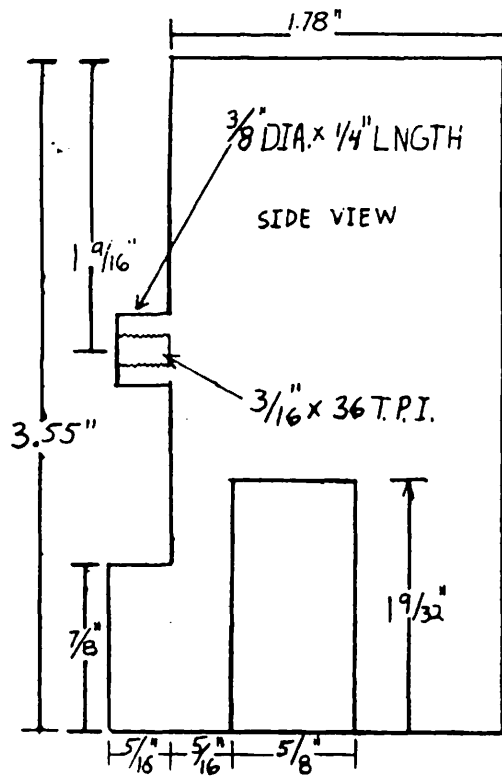


**RECEIVER PLANS**

MAC 10 LOWER RECEIVER  
(12 GAUGE SHEET STEEL)







MAGAZINE HOUSING  
IS 1/16" STEEL SHEET.  
TRIGGER GUARD IS  
1/8" STEEL SHEET.

